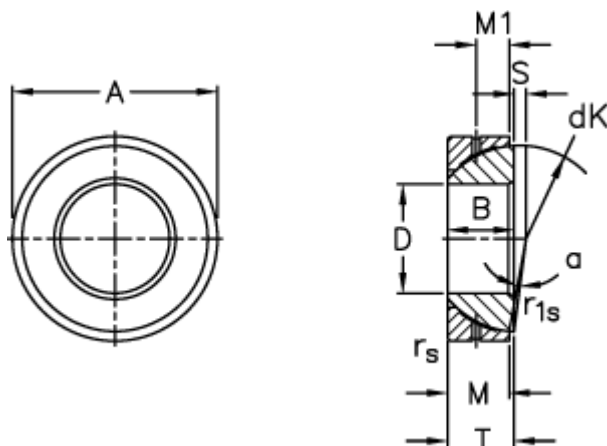


Article number: 03509065

Description: Fluro Rod end GE 65SX

## Measures



A	= 100 0 -0,018	S	= 6.5
B	= 23	Static load C0 (kN)	= 865
D	= 65 0 -0,015	T	= 23 +0,25 -0,50
dK	= 93.5	Tilt angle	= 1
Dynamic load C (kN)	= 173	Weight	= 759
M	= 22		
M1	= 11.5		
rs, r1s min	= 1.1		